

# SW305K

## PRODUCT SPECIFICATIONS

# SANY



## STANDARD FEATURES

- Engine: Deutz TCD 6.1
- Boom Suspension System
- Locking Differential Axle
- Automatic Transmission Kick Down
- Bucket Self-Leveling and Return to Dig
- SANYLive Telematics
- Single Joystick Control
- Third Function Hydraulics
- Reversible fan
- 360° View Camera

Net Power

**162 hp / 121 kW**

Bucket Capacity

**3.2 yd<sup>3</sup> / 2.4 m<sup>3</sup>**

Operating Weight

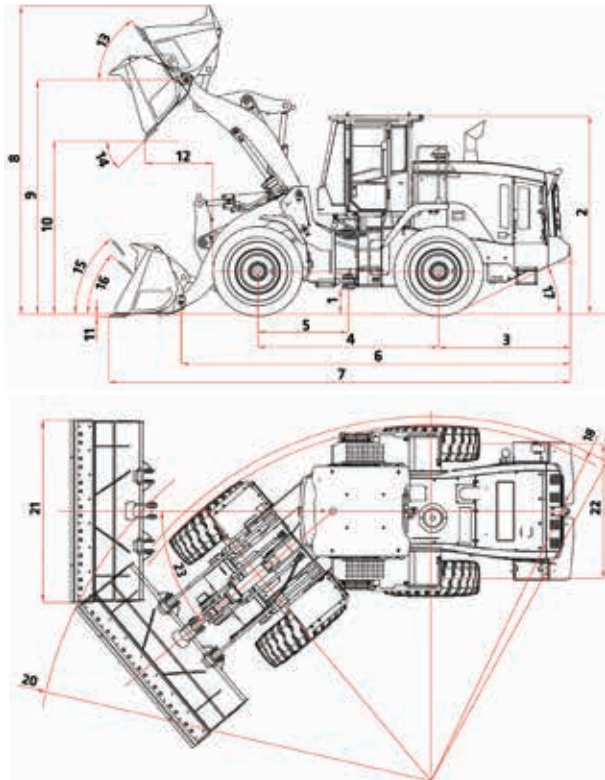
**32,222 lb / 14 616 kg**

Full Turn Tipping Load

**17,007 lb / 7 714 kg**

# PRODUCT SPECIFICATIONS

# SANY SW305K



## Machine Parameters

### WEIGHT

Operating Weight	32,222 lb	14 616 kg
------------------	-----------	-----------

### ENGINE

Deutz TCD6.1

Max Gross Power	181 hp	135 kW
Net Engine Power	162 hp	121 kW
Max Gross Torque	649 lb ft	880 Nm
Displacement	372 in <sup>3</sup>	6.1 L

### OPERATING

Bucket Capacity	3.0 yd <sup>3</sup>	2.3 m <sup>3</sup>
Breakout Force	27,143 lb	120.7 kN
Tipping Load Straight	19,621 lb	8 899 kg
Tipping Load @ Full Turn	17,007 lb	7 714 kg
Clearance (full lift 45° dump)	8' 10"	2 692 mm
Reach (full lift 45° dump)	3' 5"	1 038 mm

### HYDRAULIC SYSTEM

Max Flow	58 GPM	223.3 LPM
Max Pressure	3,481 PSI	

### HYDRAULIC CYCLE TIMES

Raise	5.2 sec
Dump	1.3 sec
Float Down	3.0 sec
Total Cycle Time	9.5 sec

### SERVICE CAPACITIES

Fuel Tank	60 gal	227 L
Cooling System	8.7 gal	33 L
Engine Crankcase	4.1 gal	15.5 L
Transmission	13.2 gal	50 L
Front Axle	9.2 gal	34.8 L
Rear Axle	9.2 gal	34.8 L
Hydraulic Tank	34 gal	128.7 L
DEF Tank	2.6 gal	10 L

### TRANSMISSION

Shift Modes	Automatic, Manual, Kick Down
Forward Gear 1-4	4-24 mph
Reverse Gear 1-3	4-16.2 mph

### POWER TRAIN

Front Axle	Fixed
Traction Aid	Manual Differential Lock
Rear Axle	Oscillating
Traction Aid	Open Differential
Service Brakes	Wet Disk
Parking Brake	Disk Brake

## OVERALL DIMENSIONS

	STANDARD	METRIC
1 Ground Clearance	1.34'	407 mm
2 Height to Top of Cab	11.17'	3 405 mm
3 Center Line of Rear Axle to Edge of Counterweight	6.27'	1 911 mm
4 Wheelbase	9.84'	3 000 mm
5 Center Line of Front Axle to Center Pivot	4.86'	1 480 mm
6 Shipping Length without Attachment	20.43'	6 226 mm
7 Shipping Length with Bucket	24.67'	7 518 mm
8 Max. Dump Height	17.15'	5 226 mm
9 Hinge Pin Height at Max. Lift	12.61'	3 845 mm
10 Dump Clearance at Max. Lift	8.82'	2 689 mm
11 Dig Depth, Level Bucket	0.4'	122 mm
12 Reach at Max. Lift and 45° Discharge	3.26'	993 mm
13 Roll Back at Max. Lift		61°
14 Dump Angle at Max. Lift and Dump		45°
15 Roll Back at Carry Height		49°
16 Roll Back at Ground		42°
17 Tail Angle to the Rear Wheel		28°
18 Clearance Circle to Outside of Tires	17.66'	5 382 mm
19 Clearance Circle to Counterweight	17.6'	5 365 mm
20 Max. Circle	19.58'	5 969 mm
21 Width of the Bucket	8.35'	2 545 mm
22 Width	6.71'	2 045 mm

In the interest of continual equipment development, SANY America Inc. reserves the right to change these specifications at any time without prior notification.